

Analog input module

AI

M1-31A

4 analog inputs (± 10 VDC)

- ▶ 16-bit analog converter
- ▶ Optically and electrically isolated
 - Each channel has an electrically isolated analog ground
 - Each channel is individually optically isolated
- ▶ Each channel has individually configurable digital filtering

General specifications

Inputs per module	4 (3 differential ended, 1 single-ended)	Bus power required (5 VDC)	0.2 mA
Input type	Voltage, ± 10 VDC	Isolation rating	500 VDC
Connector	Removable	Operating temperature	
Connection type	Screw terminal	Horizontal installation ¹	0 - 50°C
Terminal wire size	14 - 22 AWG	Vertical installation ¹	0 - 45°C
Test point	All connections	Storage temperature	-25 - 85°C
Module size	1 controller bay	Humidity	5 - 95% non-condensing
		5100 equivalent part number	F

1. Refer to the applicable controller datasheet for proper mounting instructions.

Performance specifications

Parameter	Value
Input range	-10 V to 10 V
Input resolution	16-bit
Input resistance	
+Ain to -Ain	$10^{12} \Omega$
+Ain to ACOM	$10^{12} \Omega$
-Ain to ACOM	1.5 M Ω
Max input voltage	± 40 VDC
Full range calibration error ^{1,2}	0.013% of range
Offset calibration error at 0 V ^{1,2}	0.013% of range
Linearity error (full range) ^{1,2}	0.037% of range
Digital input filter size (settable)	1 - 255 samples
Digital input filter rate	5 msec

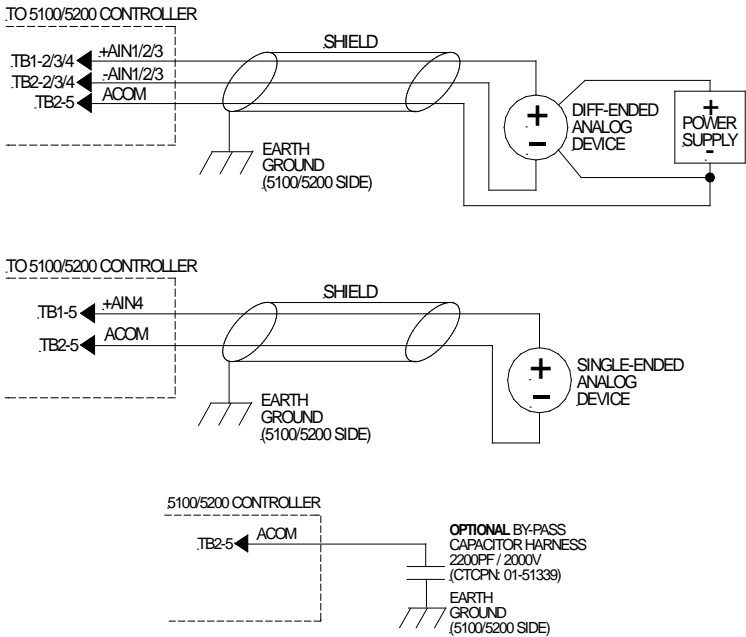
1. Errors are at 25°C.
2. Errors are double across full ambient temperature range of 0 - 50°C.

Analog input module

AI

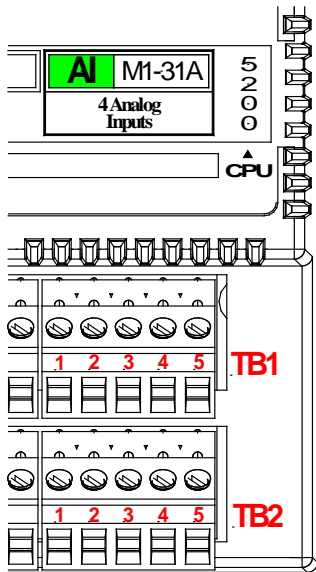
M1-31A

Typical Application



	5100	5200
Minimum hardware revision	A	A
Minimum firmware revision	1.01	1.01
Minimum operating system revision	4.04.12	5.06
Document number: 950-513105-0004		

Connections



I/O Terminations

TB1-1	VS_OUT
TB1-2	+Ain #1
TB1-3	+Ain #2
TB1-4	+Ain #3
TB1-5	+Ain #4 (S.E.)
TB2-1	VS_RTN
TB2-2	-Ain #1
TB2-3	-Ain #2
TB2-4	-Ain #3
TB2-5	ACOM

Notes

- Shield grounds must be terminated on the controller side of the cable.
- When an analog device is powered via an external power source, it may be necessary to tie the ground of this power source to the module's analog common (ACOM) to limit common mode voltages.
- For register and programming information, refer to the appropriate controller Applications Guide.
- The information and illustrations contained herein are the property of Control Technology Corporation and are subject to change without notice. Data based on VS = 24VDC @ 25°C unless otherwise noted. For additional information and/or updates visit www.ctc-control.com.
- VS refers to the voltage supply of the controller.