

## HMI with 4.3" TFT Display

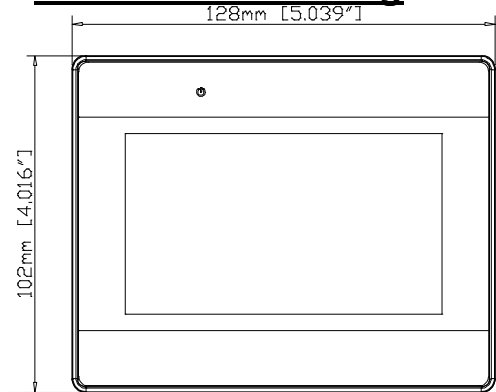


◆ **Features**

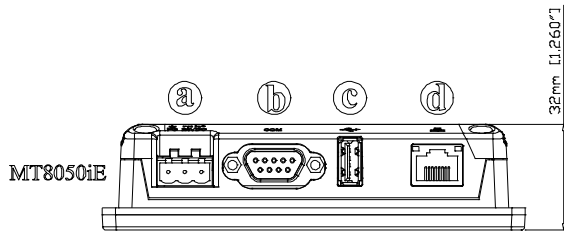
- 4.3" 480x272 TFT LCD, LED Backlight
- Slim design
- PCB coating process ensures high reliability to resist from corrosive in harsh environment
- Fan-less Cooling System
- NEMA4/IP65 Compliant Front Panel

|                      |                                 |  |
|----------------------|---------------------------------|--|
| <b>Display</b>       | Display                         | 4.3" TFT                                     |
|                      | Resolution (WxH dots)           | 480 x 272                                    |
|                      | Brightness (cd/m <sup>2</sup> ) | 500  |
|                      | Contrast Ratio                  | 500:1  |
|                      | Backlight Type                  | LED  |
|                      | Backlight Life Time             | >30,000 hrs.                                 |
|                      | Colors                          | 16M  |
| <b>Touch Panel</b>   | Type                            | 4-wire Resistive Type                        |
|                      | Accuracy                        | Active Area Length(X)±2%, Width(Y)±2%        |
| <b>Memory</b>        | Storage(MB)                     | 128  |
|                      | RAM (MB)                        | 128  |
| <b>Processor</b>     |                                 | 32 bits RISC Cortex-A8 600MHz                |
| <b>I/O Port</b>      | USB Host                        | USB 2.0 x 1                                  |
|                      | Ethernet                        | 1 RJ45 port (10/100 Base-T)                  |
|                      | COM Port                        | Com1: RS-232/RS-485 2w/4w,<br>Com3:RS-485 2w |
| <b>RTC</b>           |                                 | Built-in                                     |
| <b>Power</b>         | Input Power                     | 24±20%V <sub>DC</sub>                        |
|                      | Power Consumption               | 300mA@24VDC                                  |
|                      | Voltage Resistance              | 500VAC (1 min)                               |
|                      | Isolation Resistance            | Exceed 50MΩ at 500VDC                        |
|                      | Vibration Endurance             | 10 to 25Hz(X,Y,Z direction 2G 30 minutes)    |
| <b>Specification</b> | Enclosure                       | Plastic                                      |
|                      | Dimensions WxHxD                | 128 x 102 x 32mm                             |
|                      | Panel Cutout (mm)               | 119 x 93                                     |
|                      | Weight (kg)                     | Approx.0.25 kg                               |
| <b>Environment</b>   | Protection Structure            | NEMA4 / IP65                                 |
|                      | Storage Temperature             | -20°~60°C (-4° ~ 140°F)                      |
|                      | Operating Temperature           | 0° ~ 50°C (32° ~ 122°F)                      |
|                      | Relative Humidity               | 10% ~ 90% @ 40°C (non-condensing)            |
| <b>Certificate</b>   | CE                              | CE marked                                    |
| <b>Software</b>      |                                 | EasyBuilder Pro V4.00.01 or later versions   |

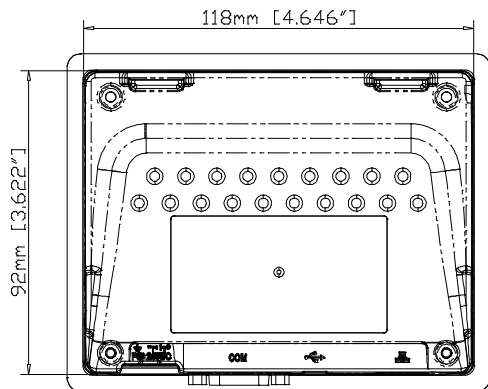
**◆ Dimensions Drawing**



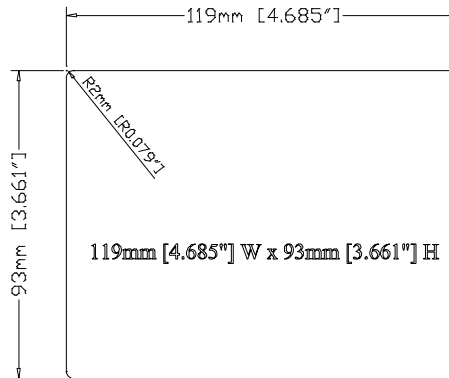
*Front View*



*Bottom View*

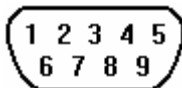


*Rear View*



*Cutout Dimensions*

**Pin Designations**



Pin assignment of the 9 Pin, Male, D-sub  
Com1[RS-232], Com1[RS-485 2w/4w],  
Com3[RS-485]

| Pin# | Com1[RS485]         |        | Com1[RS232]   | Com3[RS485] |
|------|---------------------|--------|---------------|-------------|
|      | 4 wire              | 2 wire |               |             |
| 1    | Rx-                 | Data-  |               |             |
| 2    | Rx+                 | Data+  |               |             |
| 3    | Tx-                 |        |               |             |
| 4    | Tx+                 |        |               |             |
| 5    | Signal Ground (GND) |        |               |             |
| 6    |                     |        | Transmit(TxD) |             |
| 7    |                     |        |               | Data-       |
| 8    |                     |        |               | Data+       |
| 9    |                     |        | Receive(RxD)  |             |

|   |  |
|---|--|
| a | Power Connector                              |
| b | Com1: RS-232/RS-485 2w/4w,<br>Com3:RS-485 2w |
| c | USB Host                                     |
| d | Ethernet Port                                |