

# Touchscreens by Control Technology Corp.

## Model 43104H touchscreen

### 10.4" color display panel and touchscreen

- ▶ Bright 10.4" 65536 color TFT LCD display
  - ▶ NEMA4/IP65 compliant front panel
  - ▶ Built-in Flash memory, SD card slot for data logging
  - ▶ 2 USB ports, 3 RS232 and 2 RS485 ports
- ▶ Ethernet:
    - TCP/IP
    - Modbus TCP
    - Ethernet IP

4300

## General specifications

Display size:	
Screen (diagonal)	10.4"
Screen resolution	800 x 600 px
Display type	65536 color TFT LCD
Touchscreen type	4-wire analog resistive
CPU	32-bit RISC 400 MHz processor
System DRAM	64 MB DDR2 on board
Storage	128 MB flash memory on board
Construction	plastic molding housing
<b>Hardware</b>	
Sound output	no
Real time clock	built-in
Power:	
Input	24 VDC $\pm$ 20% (power isolator inside)
Consumption	250 mA @ 24 VDC
<b>Environmental</b>	
Temperature:	
Operating	0 - 45°C
Storage	-25 - 60°C
Relative humidity	10 - 90%, non-condensing
<b>Dimensions</b>	
Dimensions (W x H x D)	286 x 212 x 50 mm
Cutout dimensions	259 x 201 mm



Documentation number: 950-431040-000

# Model 43104H touchscreen

## Additional specifications

Parameter	Value
<b>LCD display</b>	
Backlight	LED
Viewing angle	45/65/65/65 (T/B/R/L)
Luminance (cd/m <sup>2</sup> )	300
Contrast ratio	500:1
Back light life	30,000 hr. minimum
<b>Touchscreen</b>	
Touch accuracy	active area length(X)±2%, width(Y)±2%
<b>Communications</b>	
Ethernet	1 10/100 base-T
USB	1 USB 1.1 compliant Host port 1 USB 2.0 compliant client port
Serial ports:	2 multi-function connectors with 5 ports
COM1	RS232/RS485 (2- or 4-wire)
COM2	RS232
COM3	RS232/RS485 (2-wire)
Peripherals	USB barcode devices, mice, printers, keyboards and storage devices; SD card slot

Parameter	Value
<b>Environmental</b>	
Shock (operation)	10 -25 Hz (X, Y, Z direction) 2G 30 minutes)
EMI	Complies with FCC Class A
CE	Complies with EN55022: 2006, Class A. EN 61000-3-2: 2006. EN 61000-3-3: 1995+ A1: 2001+A2:2005.
Front panel	NEMA4/IP65
<b>EasyBuilder software specification</b>	
Screen editor	EasyBuilder vEB8000 2.0.0 or later (requires Windows XP or later)
Number of windows	up to 1989 windows
Number of objects	up to 500 per window, limited by memory
Text strings	limited only by memory
Graphic formats supported	BMP, GIF, JPG, PNG
Macro scripts	easy to use macro scripting language
System requirements (computer)	Pentium processor 90 MHz or faster, 512 KB RAM, 150 MB available hard disk space, minimum 1024 x 768 resolution VGA, one RS232 port

## Model 43104H touchscreen

*10.4" color display panel and touchscreen*

### Summary of EasyBuilder objects

**Bit lamp** – place an indicator that is bit triggered

**Word lamp** – place an indicator that is Word triggered

**Set bit** – set a bit on a button press, button hold, window change, backlight activation or data entry.

**Set word** – set a word on a button press, button hold, window change, backlight activation or data entry.

**Toggle switch** – toggle a bit

**Multistate switch** – increment/decrement a word

**Slider** – change word value by dragging cursor

**Function button** – perform a system operation

**Numeric input/display** – change/display numeric data

**ASCII input/display** – change/display alphanumeric data

**X, Y move animation** – move an object via pixel coordinates

**Spot move animation** – move an object on a predefined path

**Direct window** – popup window on bit status change

**Indirect window** – popup window depending on Word's value

**Bar graph** – display data as changing rectangle

**Alarm display** – display predefined text strings in response to bit changes

**Trend graph** – plot active data on a trend

**Data history display** – show contents of data logger

**Meter** – display one of four different types of meters

**Scrolling alarm** – display predefined text strings in response to bit changes

**Event display** – display and log predefined text strings in response to bit or word changes

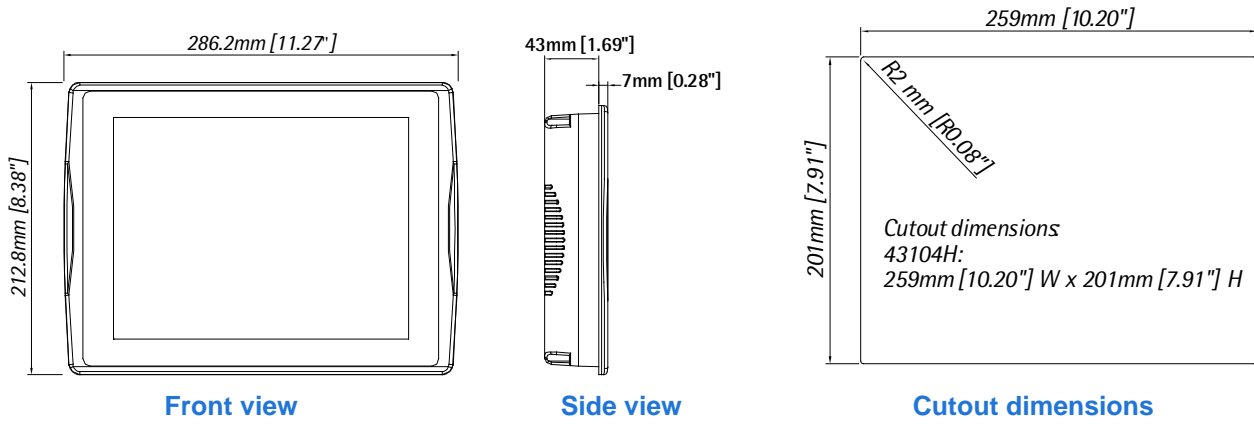
**Data logging** – move controller data to USB or CF card memory

**PLC controls** – change window, backlight control, macro execution, data transfer

# Model 43104H touchscreen

## Dimensions

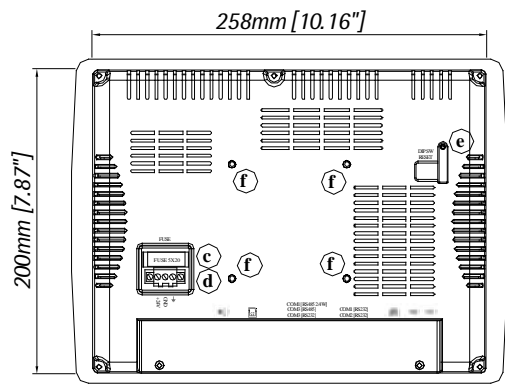
All dimensions are in mm [in].



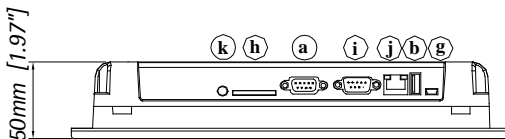
Front view

Side view

Cutout dimensions



Rear view



Bottom view

### Rear and bottom views - port mapping

ID	Description
a	Com1 RS485, Com3 RS485, Com3 RS232
b	USB host port
c	fuse
d	Power connector
e	DIP SW & reset button
f	VESA 75mm screw hole
g	USB device port
h	SD card slot
i	Com1 RS232, Com2 RS232
j	Ethernet port

Copyright © 2011 Control Technology Corp. All Rights Reserved. Specifications are subject to change without notice.